

Single-phase Inverter

BLD-1k/1.5k/2k-TL

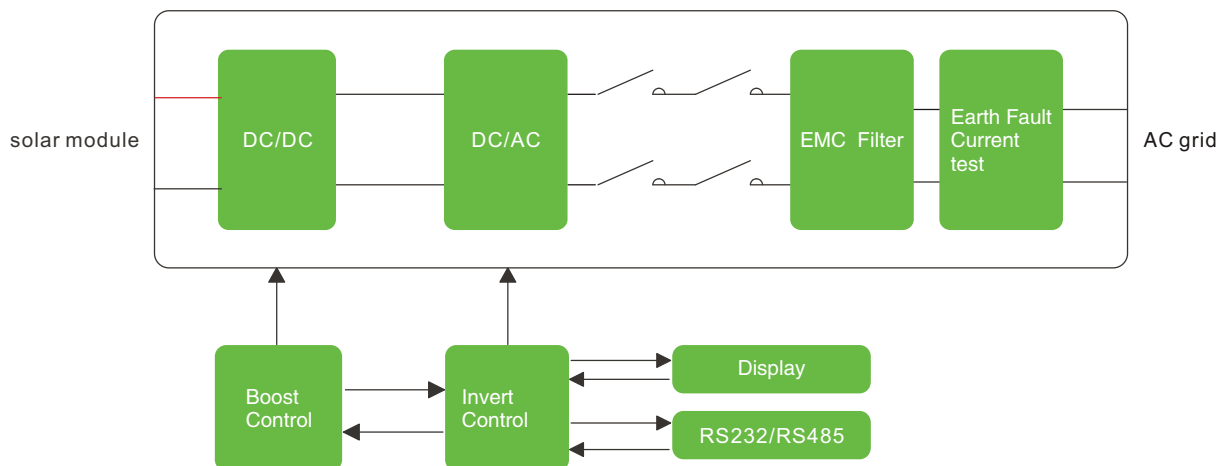
SAA CE CQC C10/11 TF3.2.1 CEI0-21

[Features]

- Transformerless design, high efficiency (Max.97.5%, Euro.96.6%)
- High MPPT accuracy (>99.9%)
- Wide DC input range (80-500Vdc), compatible with different module technologies
- Easy to wire, install and operate
- IP 65 design, suitable for indoor and outdoor installation
- 5 years warranty (10~25 years as option)



[Model diagram]



[Inverter Technical Data]

Type	BLD-1k-TL	BLD-1.5k-TL	BLD-2k-TL
Input (DC)			
Max. PV-Generator Power [W]	1300W	1750W	2300W
Max. DC voltage [V]	500V	500V	500V
Nominal DC voltage[V]	360V	360V	360V
MPPT DC voltage Range [V]	80-360V	120-450V	120-450V
Full-load MPPT DC voltage Range	150-360V	150-450V	150-450V
Start up DC voltage[V]	90V	150V	150V
Turn off DC voltage [V]	80V	120V	120V
Max. DC Current [A]	16A	18A	18A
Number of MPPT trackers	1	1	1
Number of DC Connection	1	1	1
DC-Connection Type	MC4 connector	MC4 connector	MC4 connector
Output (AC)			
Max. AC Power [W]	1100W	1650W	2200W
Nominal AC Power [W]	1000W	1500W	2000W
Nominal Grid voltage[V]	220V/230V/240V	220V/230V/240V	220V/230V/240V
Nominal Grid Frequency	50Hz/60Hz	50Hz/60Hz	50Hz/60Hz
Max. AC Current [A]	5.8A	9.0A	12.0A
Grid voltage Range	185-276V	185-276V	185-276V
Grid Frequency Range	45-55Hz/55-65Hz	45-55Hz/55-65Hz	45-55Hz/55-65Hz
Power Factor	>0.99	>0.99	>0.99
Total Harmonic Distortion(THD)	<2%	<2%	<2%
Feed in Starting Power[W]	30W	30W	30W
Power consumption at Night [W]	<1W	<1W	<1W
Standby Consumption[W]	6W	6W	6W
AC-Connection Type	Plug-in Connector	Plug-in Connector	Plug-in Connector
Efficiency			
Max. Efficiency	97.5%	97.5%	97.5%
Euro. Efficiency	96.3%	96.5%	96.6%
MPPT Efficiency	99.9%	99.9%	99.9%
Safety and Protection			
DC Insulation Monitoring		Yes	
DC switch		Optional	
Residual Current Monitoring Unit(RCMU)		Integrated	
DC Current Monitoring and Protection		Yes	
Protection Class		I (According to IEC 62103)	
Overvoltage Category		PV II/Mains III(According to IEC 62109-1)	
Reference Standard			
Production Compliance		EN 62109, AS/NZS 3100	
EMC Compliance		EN 61000-6-1, EN 61000-6-3, EN 61000-6-2, EN 61000-6-4, EN61000-3-2, EN61000-3-3	
Grid-integration Compliance		VDE 0126-1-1, RD1663, C10/11, G83/2, UTE C15-712-1, AS4777, CQC, CEI 0-21,EN50438	
Physical structure			
Dimensions (W×H×D) [mm]		330x425x130mm	
Weight [kg]		13kg	
Environmental Protection Rating		IP65	
Cooling Concept		Natural Convection	
Installation Type		Wall bracket	
General Data			
Operating Temperature Range		-20°C to + 60°C (derating adove 45°C)	
Relative Humidity		0% to 98%, no condensation	
Maximum Altitude (above sea level)[m]		2000m	
Noise Level[dBA]		<40dB	
Isolation Type		Transformerless	
Display		3 LED, Backlight, 16 ×2 Character LCD	
Data Communication Interfaces		RS485, (Wi-Fi, GPRS,Optional)	
Computer Communication		RS232 as Option	
Standard Warranty		5 Years (Optional 10~25 years)	

* The AC voltage and current range may change with the criteria of nations

Zhejiang BLD Solar Technology CO.,LTD

☉ Qinggang Industrial Zone, Yuhuan,Zhejiang

🌐 <http://www.bldsolar.com>

✉ sales@bldsolar.com

☎ +86-576-81731999

☎ +86-576-81731990